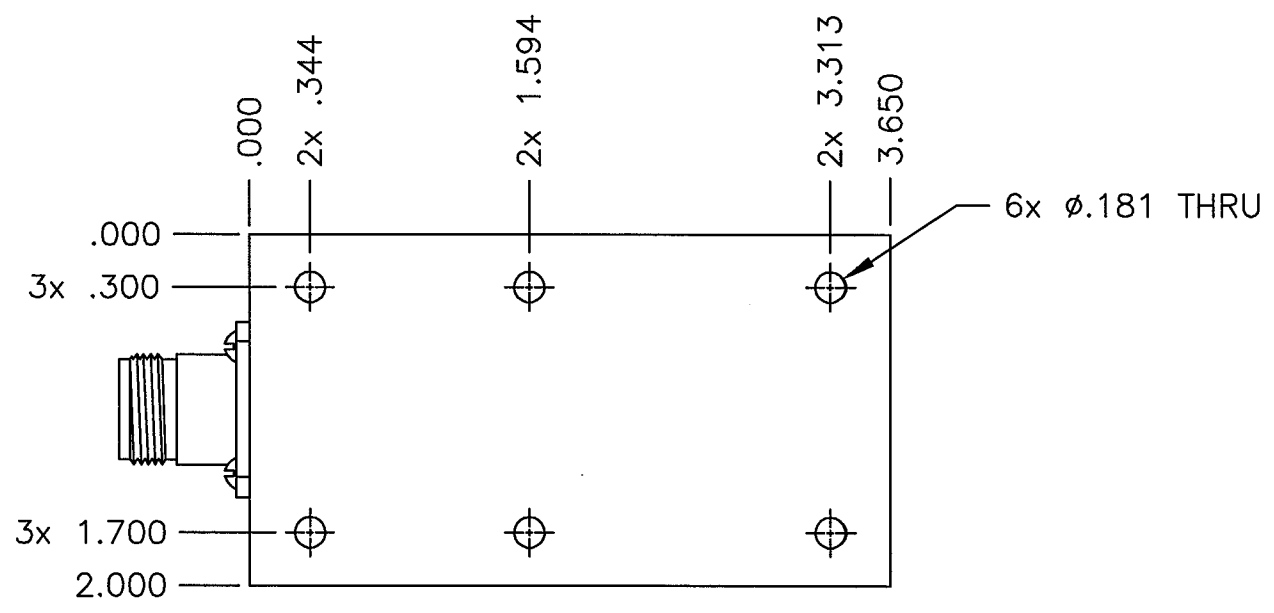
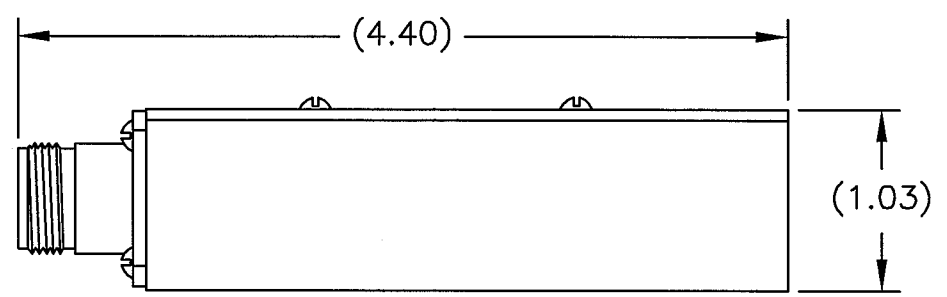
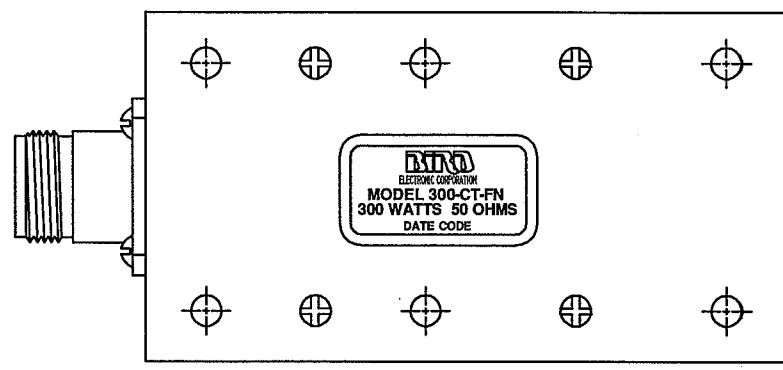
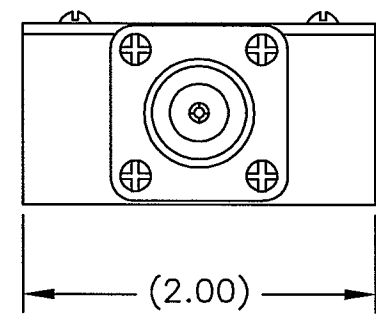


DWG NO. 300-CT-FN
 SHEET 1
 REV A

SPECIFICATIONS:
 IMPEDANCE: 50 OHMS NOMINAL
 POWER RATING: 300 W AVG.
 - BASED ON MAX. HOUSING TEMP.
 OF 100°C OR LESS
 VSWR: DC TO 1GHz AT 1.10:1 MAX.
 1GHz TO 2.5GHz AT 1.25:1 MAX.
 CONNECTOR: N-TYPE FEMALE
 FINISH: BODY-SILVER PLATED
 CONNECTOR-SILVER PLATED

REVISIONS				
ZONE	REV	DESCRIPTION	DATE	APPROVED
	A	CONVERT TO BEC FORMAT	DMR 5-27-03	<i>MAJ</i>

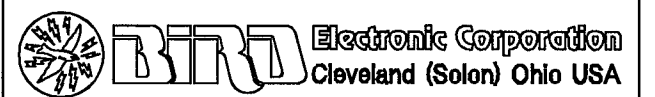


DIMENSIONS HEREON ARE FOR CUSTOMER
 CONVENIENCE AND REFERENCE ONLY.
 TOLERANCE TO BE APPLIED ONLY WHERE
 INDIVIDUALLY STATED ON THE RESPECTIVE
 DIMENSION. -DO NOT SCALE DRAWING-

UNLESS OTHERWISE SPECIFIED
 DIMENSIONS ARE IN INCHES
 TOLERANCES ARE:
 FRACTIONS DECIMALS ANGLES
 ± 1/64 .XX = ±.010 ± 30'
 .XXX = ±.005

MILLIMETERS
 .X = ±.4
 .XX = ±.12

THIS DRAWING IS THE PROPERTY OF THE BIRD ELECTRONIC CORPORATION. THE DESIGNS AND SPECIFICATIONS DISCLOSED HEREON ARE PROPRIETARY AND SHALL NOT BE REPRODUCED, NOR COPIED, NOR USED AS THE BASIS FOR THE MANUFACTURE OR SALE OF APPARATUS OR DEVICES WITHOUT THEIR EXPRESS WRITTEN CONSENT.



MATERIAL		APPROVALS		DATE		TITLE				
		DRAWN D.M.RINK		5-27-03		TERMINATION, CONDUCTION COOLED N-TYPE FEMALE, 300W				
FINISH		APPROVED <i>MAJ</i>		6-15-03		SIZE B	FSCM NO. 70998	DWG. NO. 300-CT-FN	REV A	
		AUTOCAD				SCALE 1:1	COMM CODE LD1	SHEET 1 OF 1		